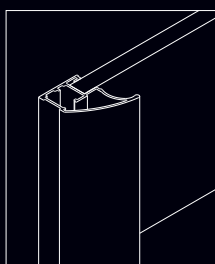


aleco



Aleco profile



aleco

ALECO system is based on sliding doors which main advantage is space economy and functionality. **ALECO** system is used for built-in closets. **ALECO** system is equipped with roller mechanism door. For door side profiles is used aluminium vertical **ALECO** profile that is 35 mm wide. **ALECO** maximal door leaf width is 1200 mm, door maximal height – 2590 mm.

Colours:



Silver AS



Gold BG



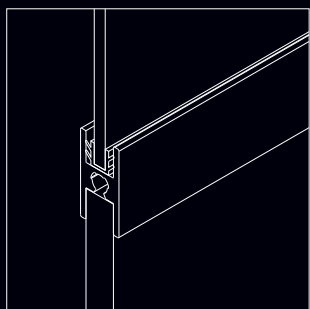
Bronze SG



White BW

Dividing profiles

For door dividing offered "H" profile. Height of "H" profile is 28 mm.



"H" profile

Lighting profile

Lighting profile is used for extra lighting element installation in the wardrobe.



SOFTSTOP mechanism

SOFTSTOP is unique door brake – indrawn mechanism.



Stoppers

For ALECO sliding doors are offered two types of stoppers – TOP stopper (placed in the top track) and bottom stopper (placed in the bottom track). For most efficient usage it is recommended to install both top and bottom stoppers.



TOP stopper

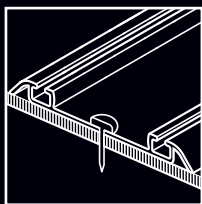


bottom stopper

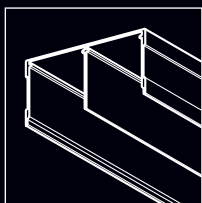


Bottom tracks

Ensuring the door usage in different situations, we offer double bottom tracks. For ALECO system the distance between bottom track lines is **38,5** mm.



bottom double track



top double track

Top tracks

For ALECO system we offer double top tracks. ALECO systems top tracks inside measure is 37,2 mm.

Official distributor:

